

4

Install the arm at the other side of the Rear Bumper. Do not tighten yet.



The Bumper easily fits in.

5

Set the Rear Bumper in order that it will be aligned in the Right position and tighten the bolts of the Rear Suspension Plate of the vehicle and the screws of the side arms of the Rear Bumper.

Now you have completed the installation.

For technical support , please write us to:
info@afxmotorsports.com or call us at:
Ph. 956-242-6521

HAVE FUN AND A SAFE RIDE!



www.afxmotorsports.com

4610 Modern Lane, Laredo, TX 78041 Ph. 956-242-6521

THIS PRODUCT IS FOR OFF ROAD USE ONLY

HIGH IMPACT STEEL REAR BUMPER INSTALLATION MANUAL



**CAN AM X3
2 SEATER**

SKU DEF036

THANK YOU!

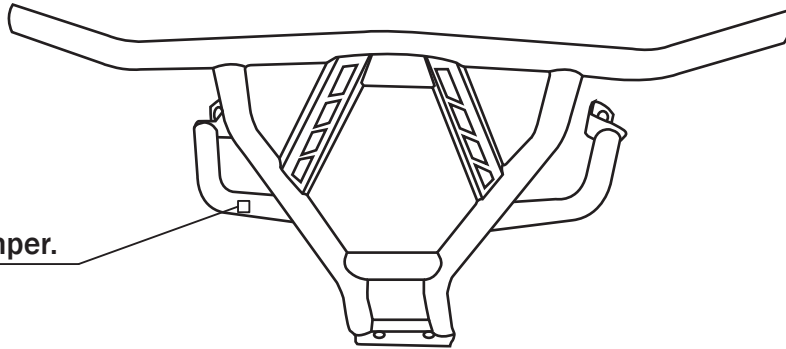
FOR PURCHASING AT AFX MOTORSPORTS



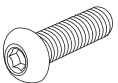
HIGH IMPACT STEEL REAR BUMPER FOR CAN AM X3 2 SEATER

HOW TO INSTALL

Pieces included:



■ Rear Bumper.

-  (2x) 3/8" x 3" Bolts with washers and nuts.
(2x) 3/8" x 3 1/2" Bolts with washers and nuts.

Tools needed (Not Included):

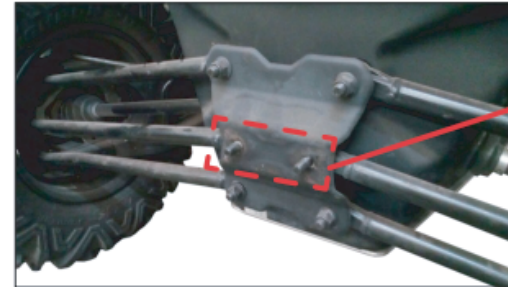
- 3/4" Wrench.
- 7/32" Allen Key.
- 9/16" or 14 mm Combination Wrench.

Liability Statement

AFX Motorsports products are designed to best fit user's ATV/UTV under stock conditions. Adding, modifying, or fabricating any factory or aftermarket parts will void any warranty provided by AFX Motorsports and is not recommended. AFX Motorsports products could interfere with other aftermarket accessories. If user has aftermarket products on machine, contact AFX Motorsports to verify that they will work together. Although AFX Motorsports has thousands of satisfied customers, user should be aware that installing bumpers, rock sliders, spare tire carriers, etc. will change the ride of machine and may increase maintenance and part wear. Operating any off-road machine while, or after, consuming alcohol and/or drugs increases risk of bodily harm or death. No warranty or representation is made as to this product's ability to protect user from severe injury or death. AFX Motorsports urges operators and occupants to wear a helmet and appropriate riding gear at all times. By purchasing and installing AFX Motorsports products, user agrees that should damages occur, AFX Motorsports will not be held responsible for loss of time, use, labor fees, replacement parts, or freight charges. AFX Motorsports, nor any 3rd party, will not be held responsible for any direct, indirect, incidental, special, or consequential damages that result from any product purchased from AFX Motorsports. The total liability of seller to user for all damages, losses, and causes of action, if any, shall not exceed the total purchase price paid for the product that gave rise to the claim. AFX Motorsports will warranty only parts provided by AFX Motorsports. Any damage or problems with OEM housings, bearings, seals, or other manufacturers' products will not be covered by AFX Motorsports. AFX Motorsports parts and products are not warranted if item was not installed properly, misused, or modified.

1

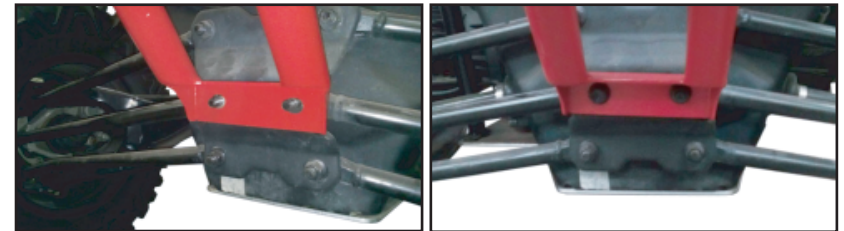
Remove the 2 central nuts of the screws located on the rear suspension plate of the vehicle.



Remove the 2 central nuts. Use a 3/4" Wrench.

2

Place the rear bumper in order that the lower plate of the bumper would be in position with the 2 central screws of the rear suspension. Then, place the 2 nuts again in the 2 central screws of the rear suspension plate of the vehicle. Do not tight them yet.



3

Place one of the two arms of the Rear Bumper and install the plate of the Bumper using the frame's original hole of the vehicle. Use a 3/8" x 2 1/2" screw with washer and nut (Included). Do not tighten yet.



Use the frame's original perforation.