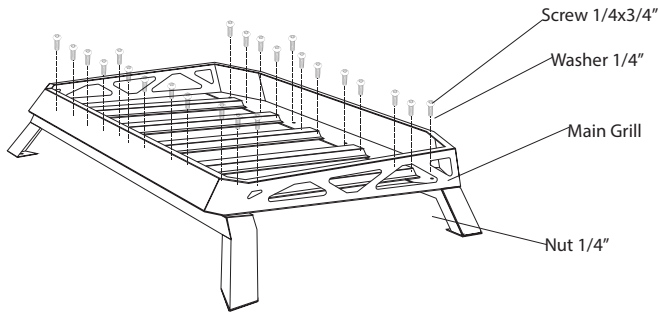
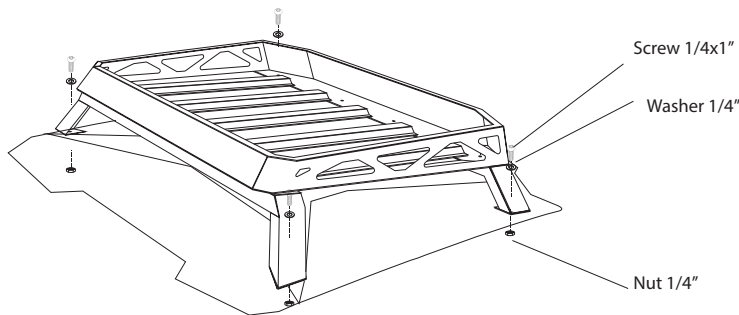


4 Tighten all the screws.

5 Please assemble the Roof Rack as a whole, and after this procedure install the cross bars in the holes indicated below (Do not tighten the bolts until everything is sitting in this final place).



6 Please assemble the Roof Rack (completely set) over the roof, aligning it with the perforations done in the first step. Use 4 1/4 x 1" screws with the washer and nut.



\*For safety tighten all the screws.

Now you have finished the installation.

**THIS PRODUCT IS FOR OFF ROAD USE ONLY**

## SPORT ROOF RACK INSTALLATION MANUAL



## CAN AM MAVERICK X3 / XDS / XRS

### SKU ACC032

# THANK YOU!

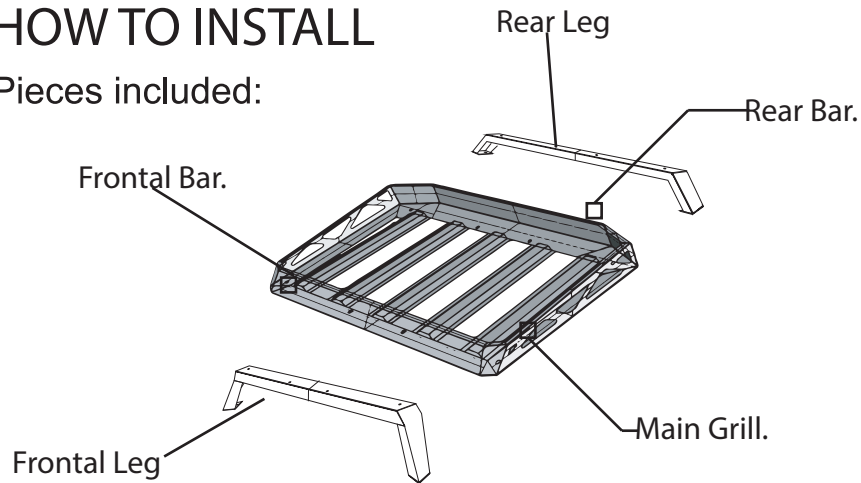
FOR PURCHASING AT AFX MOTORSPORTS



## SPORT ROOF RACK

### HOW TO INSTALL

Pieces included:



- (4x) 1/4" x 1" Bolts with washers and nuts.
- (16x) 1/4" x 1/2" Bolts with nuts.
- (28x) 1/4" x 3/4" Bolts with nuts.

Tools needed (Not Included):

- 5/32" Allen Key.
- 7/16" Combination Wrench.

#### Liability Statement

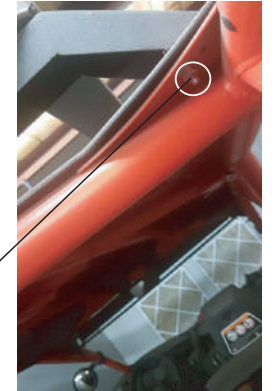
AFX Motorsports products are designed to best fit user's ATV/UTV under stock conditions. Adding, modifying, or fabricating any factory or aftermarket parts will void any warranty provided by AFX Motorsports and is not recommended. AFX Motorsports products could interfere with other aftermarket accessories. If user has aftermarket products on machine, contact AFX Motorsports to verify that they will work together. Although AFX Motorsports has thousands of satisfied customers, user should be aware that installing bumpers, rock sliders, spare tire carriers, etc. will change the ride of machine and may increase maintenance and part wear. Operating any off-road machine while, or after, consuming alcohol and/or drugs increases risk of bodily harm or death. No warranty or representation is made as to this product's ability to protect user from severe injury or death. AFX Motorsports urges operators and occupants to wear a helmet and appropriate riding gear at all times. By purchasing and installing AFX Motorsports products, user agrees that should damages occur, AFX Motorsports will not be held responsible for loss of time, use, labor fees, replacement parts, or freight charges. AFX Motorsports, nor any 3rd party, will not be held responsible for any direct, indirect, incidental, special, or consequential damages that result from any product purchased from AFX Motorsports. The total liability of seller to user for all damages, losses, and causes of action, if any, shall not exceed the total purchase price paid for the product that gave rise to the claim. AFX Motorsports will warranty only parts provided by AFX Motorsports. Any damage or problems with OEM housings, bearings, seals, or other manufacturers' products will not be covered by AFX Motorsports. AFX Motorsports parts and products are not warranted if item was not installed properly, misused, or modified.

1

Drill 2 holes on the marks of the OEM plastic roof, in order to align the rack bars with them.



DRILL



2

Place the Front and Rear corners with the lateral (as it is shown in the image). Use 8 1/4 x 1/2" screw with nuts.



3

Set the Front and Rear legs (as it is shown in the image) using 8 1/4x1/2" screws with nuts.

